

FIRE PROTECTION LEGEND, SYMBOLS & ABBREVIATIONS

(NOT ALL ABBREVIATIONS AND SYMBOLS ARE APPLICABLE TO THIS PROJECT)

FIRE PROTECTION GENERAL NOTES:

1. PROVIDE COMPLETE SPRINKLER SYSTEMS AS DESCRIBED HEREIN AND AS SHOWN ON THE DRAWINGS. THE WORK COVERED UNDER THIS CONTRACT INCLUDES THE FURNISHING OF ALL EQUIPMENT, LABOR, AND MATERIALS TO PROVIDE A COMPLETE SYSTEM IN ACCORDANCE WITH THE CONTRACT DOCUMENTS AND ASSOCIATED CODES.
2. PIPE HANGERS SHALL COMPLY WITH THE INTERNATIONAL BUILDING CODE AND NFPA REQUIREMENTS.
3. ALL FIRE SUPPRESSION SYSTEM WORK, INCLUDING DEMOLITION, FABRICATION, AND INSTALLATION REQUIRE ENGINEER'S RELEASE OF SHOP DRAWINGS PRIOR TO THE COMMENCEMENT OF ANY WORK.
4. THE LAYOUT ON THE DRAWINGS ARE DIAGRAMMATIC. SEE ARCHITECTURAL PLANS AND ELECTRICAL LIGHTING PLANS FOR COORDINATION AND NEW LAYOUT OF FIRE PROTECTION PIPING.

ABBREVIATIONS:

(A)	ABANDON EXISTING
AHJ	AUTHORITY HAVING JURISDICTION
AC	ABOVE CEILING
AD	ACCESS DOOR
AFC	ABOVE FINISHED CEILING
AFF	ABOVE FINISH FLOOR
AP	ACCESS PANEL
AC	ABOVE CEILING
BF	BELOW FLOOR
BG	BELOW GRADE
CFH	CUBIC FOOT PER HOUR
CFM	CUBIC FOOT PER MINUTE
DCBP	DOUBLE CHECK (ASSEMBLY) BACKFLOW PREVENTOR
DBF	DOWN BELOW FLOOR
DIA	DIAMETER
EX	EXISTING
ETR	EXISTING TO REMAIN
FC	FLEXIBLE CONNECTOR
FP	FIRE PROTECTION
FFE	FINISHED FLOOR ELEVATION
FT	FEET
GPH	GALLONS PER HOUR
GPM	GALLONS PER MINUTE
GC	GENERAL CONTRACTOR
IE	INVERT ELEVATION
IN	INCHES
MAV	MANUAL AIR VENT
MAX	MAXIMUM
MIN	MINIMUM
NC	NORMALLY CLOSED
NO	NORMALLY OPENED
OD	OUTSIDE DIAMETER
P	PUMP
PC	PLUMBING CONTRACTOR
PD	PUMP DISCHARGE
PRES	PRESSURE
PRV	PRESSURE REDUCING VALVE
PS	PRESSURE SWITCH
PSIA	POUNDS PER SQUARE INCH, ABSOLUTE
PSIG	POUNDS PER SQUARE INCH, GAGE
RPM	REVOLUTIONS PER MINUTE
RZBP	REDUCED (PRESSURE) ZONE BACKFLOW PREVENTOR
SC	SITE CONTRACTOR
SF	SQUARE FOOT
TOS	TOP OF STEEL
(X)	REMOVE EXISTING

PIPING SYSTEM IDENTIFICATION:

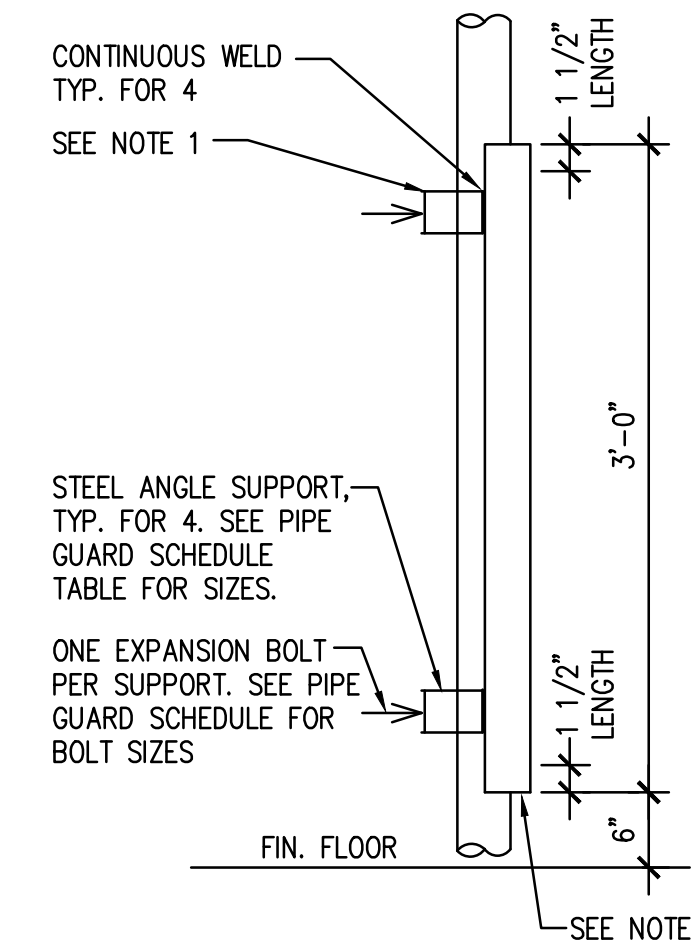
— FP —	EXISTING PIPING TO REMAIN
- - - FP - - -	EXISTING PIPING TO BE REMOVED
— FP —	FIRE PROTECTION PIPING
— DSP —	DRY SPRINKLER PIPING

ANNOTATION IDENTIFICATION:

	REVISION AREA
	REVISION NUMBER
	KEYED NOTE
	DEMOLITION KEYED NOTE
	POINT OF DEMOLITION
	DETAIL NUMBER
	DRAWING NUMBER CONNECTION TO EXISTING
	EQUIPMENT ABBREVIATION
	EQUIPMENT NUMBER
	SECTION LETTER
	DRAWING NUMBER

PIPING ACCESSORIES/EQUIPMENT IDENTIFICATION:

	NEW CONCEALED SPRINKLER
	NEW UPRIGHT PENDANT SPRINKLER
	NEW SIDEWALL SPRINKLER
	EXISTING SPINKLER TO REMAIN
	EXISTING SPRINKLER TO BE REMOVED
	UNION OR FLANGED CONNECTION
	SHUT OFF VALVE
	CHECK VALVE
	DRAIN VALVE
	PRESSURE REGULATING VALVE
	PRESSURE REDUCING VALVE
	TWO-WAY MOTORIZED VALVE
	THREE-WAY MOTORIZED VALVE
	SOLENOID VALVE
	STRAINER
	PRESSURE GAUGE
	END CAP
	EXPANSION DEVICE
	EXPANSION LOOP
	FLEXIBLE CONNECTION
	PIPE ANCHOR
	PIPE ALIGNMENT GUIDE
	PIPE ELBOW UP (RISER)
	PIPE ELBOW DOWN (DROP)
	BOTTOM TEE CONNECTION
	TEMPERATURE SWITCH
	HEAT TRACING ON PIPING
	PUMP
	BACKFLOW PREVENTER
	BREAK IN LINE
	WATER FLOW SWITCH
	TAMPER SWITCH
	VALVE WITH TAMPER SWITCH
	CHECK VALVE
	FIRE DEPARTMENT CONNECTION

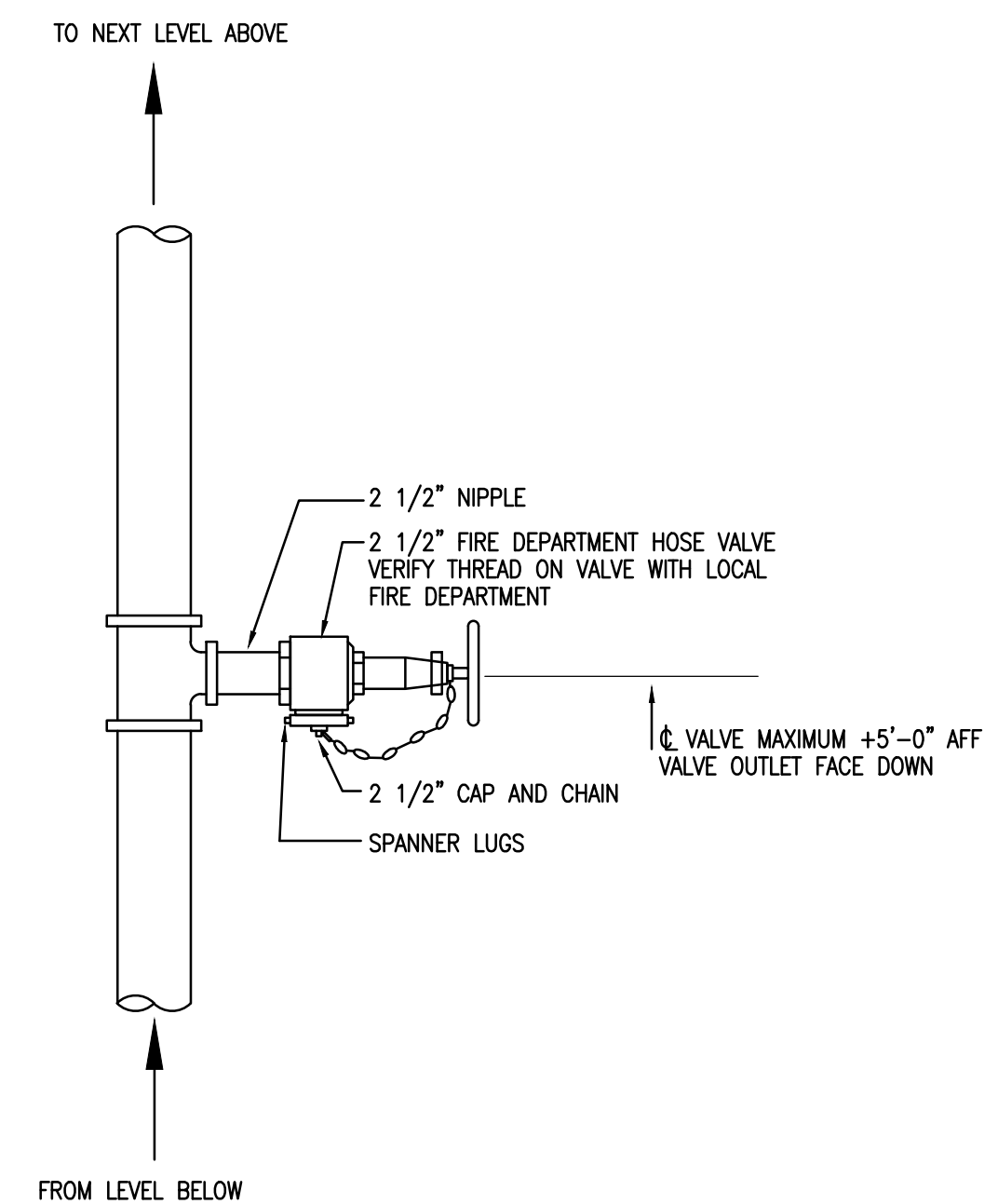


NOTES:

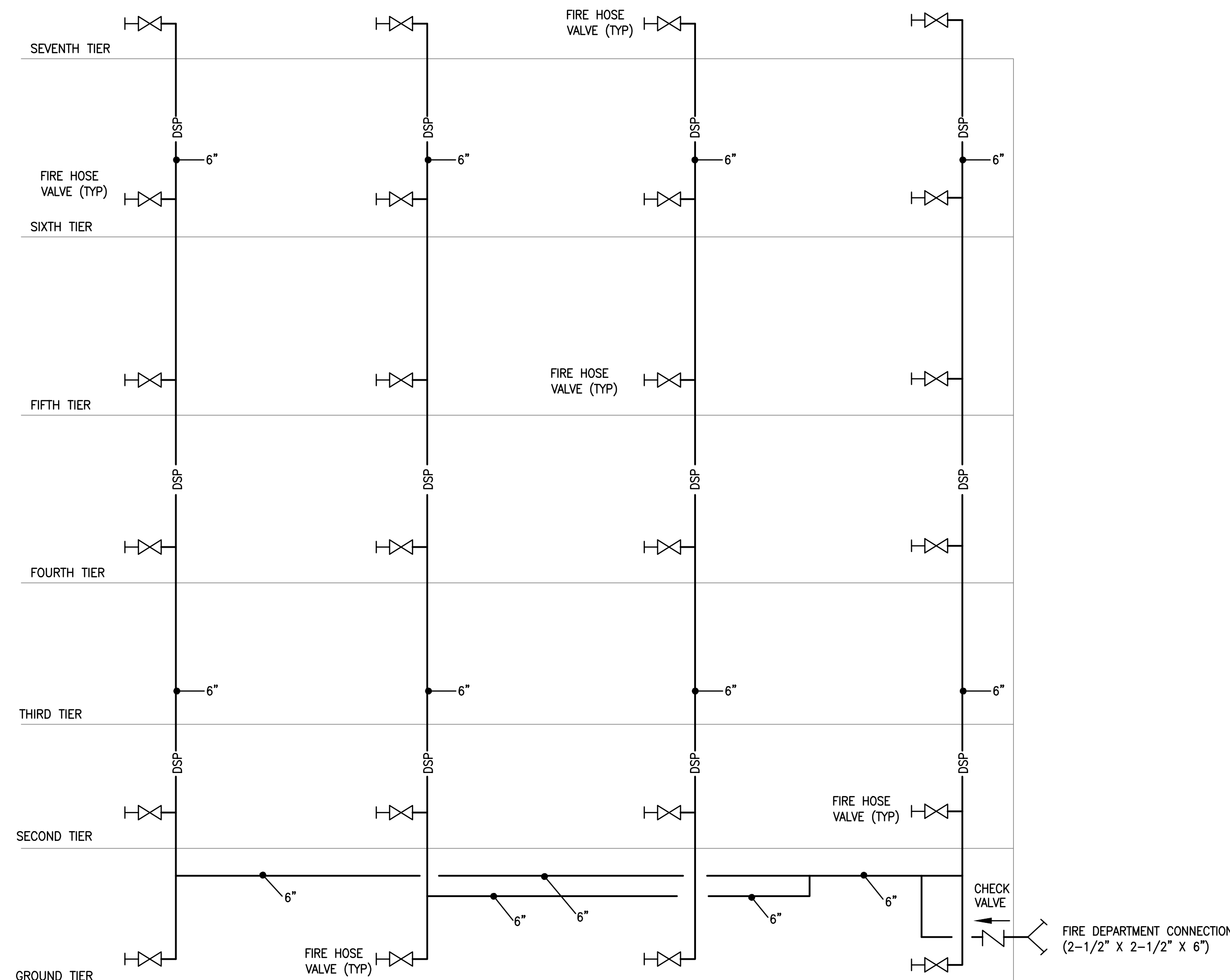
1. INDICATED STEEL ANGLE SIZE SHALL BE PLACED ON THE WALL OR COLUMN FOR ANCHORING.
- (*) ONE LEG OF THE ANGLE IS NOT SIZED. CONTRACTOR SHALL SELECT THE PROPER LEG SIZE TO ACCOMMODATE THE DISTANCE REQUIRED FOR PIPE GUARD PROJECTION.
2. SPLIT SCHEDULE 40 STANDARD WEIGHT PIPE FOR GUARD. WELD TO STEEL ANGLE SUPPORTS.
 - a. INSIDE DIA. OF GUARD PIPE SHALL BE TWO INCHES LARGER THAN THE SERVICE PIPE FOR UP TO 5"Ø.
 - b. INSIDE DIA. OF GUARD PIPE SHALL BE ONE INCH LARGER THAN THE SERVICE PIPE FOR 6"Ø AND ABOVE.
 - c. USE 1/2" THICK BENT PLATE FOR SERVICE PIPES WITH DIAMETER GREATER THAN 10".
3. ALL MATERIALS SHALL BE GALVANIZED AND PAINTED AFTER INSTALLATION.
4. COORD. PROPER SIZED OPENINGS FOR CLEAN OUTS AT SERVICE PIPES.
5. THIS DETAIL APPLIES TO ALL RISERS SUBJECT TO VEHICULAR BARRIER LOADING.

PIPE GUARD SIZE	PIPE GUARD SCHEDULE			
	STEEL ANGLE SUPPORT SIZE	LENGTH	EXPANSION BOLT DIAMETER	EXPANSION BOLT LENGTH
7" & BELOW	4x5/16	0-4"	5/8"	3 1/2"
8" & ABOVE	4x5/16	0-4"	3/4"	4"

PIPE GUARD DETAIL
SCALE: NTS



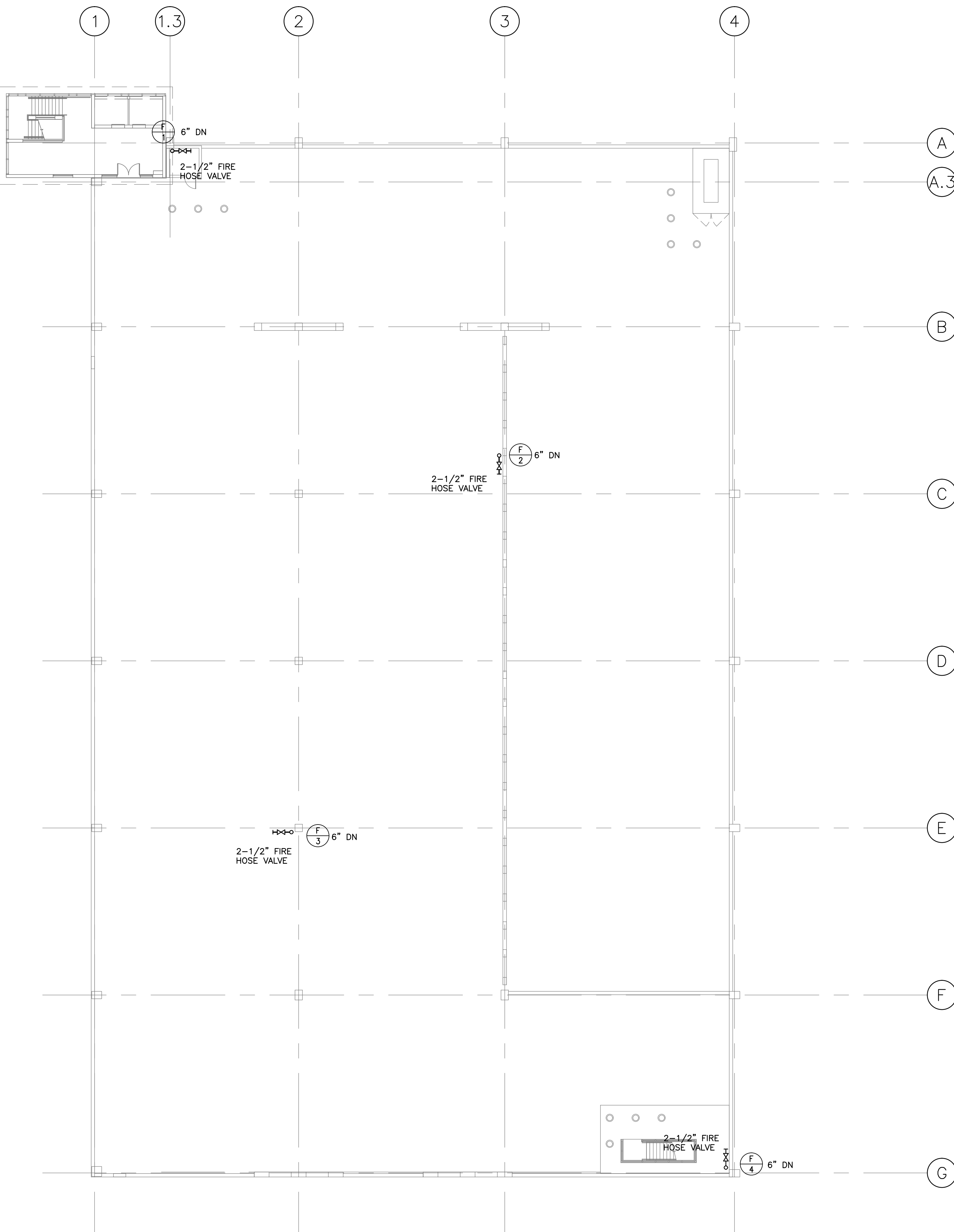
TYPICAL DETAIL FOR DRY, MANUAL STANDPIPE
SCALE: NTS



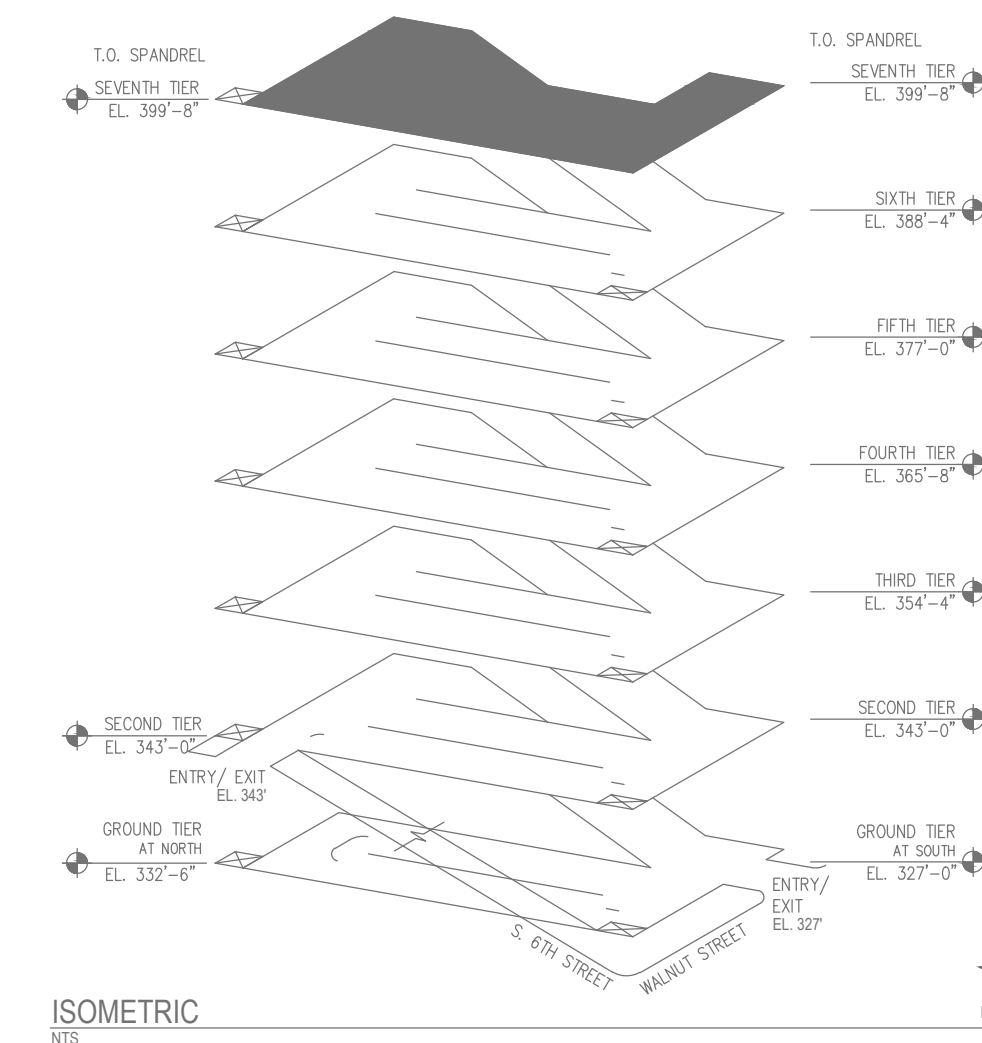
FIRE PROTECTION SYSTEM PIPING RISER DIAGRAM
SCALE: NTS

NO.	DESCRIPTION	DATE
1	ADDENDUM #1	12/3/2014

DRAWN:	KJB
REVIEWED:	KJB
DATE:	11/24/2014



SEVENTH TIER FIRE PROTECTION PLAN
SCALE: 1/16"=1'-0"



KEY PLAN

KEYED NOTES:

- ① PITCH ALL PIPING AS REQUIRED FOR PROPER SYSTEMS DRAINAGE
- ② PROVIDE AUTOMATIC BALL DRIP AT FIRE DEPARTMENT CONNECTION.
- ③ PROVIDE REQUIRED SIGNAGE AT ALL FDU LOCATIONS AND FDC LOCATIONS.
- ④ COORDINATE THREAD TYPE FOR FDC WITH LOCAL FIRE DEPARTMENT.

NO.	DESCRIPTION	DATE
1	ADDENDUM #1	12/3/2014

DRAWN:	KJB
REVIEWED:	KJB
DATE:	11/24/2014

SHEET TITLE:

SEVENTH TIER FIRE PROTECTION PLAN

SHEET NO.

FP-1.7